



沈阳蓝光  
SHENYANG BLUELIGHT

آریان آسانسور (سهامی خاص)  
ARIAN ASANSOR Co.



# SHENYANG BLUELIGHT

DRIVE THE FUTURE



[HTTP://WWW.SYLG.CN](http://www.sylg.cn)

[HTTP://WWW.ARIANASANSOR.COM](http://www.arianasansor.com)

Sample Information For Reference Only

TEL: (+9821)23553000 (30Line)  
ADD: No 243, Africa Exp. way  
Tehran 1915713311, IRAN

## آریان آسانسور

تلفن: ۰۲۱-۲۳۵۵۳۰۰۰ (خط ۳۰)

آدرس: تهران، بزرگراه آفریقا،

بالا تر از ناهید شرقی، شماره ۲۴۳

کد پستی: ۱۲۱۵۷۱۳۳۱۱





Shenyang Head Quarters



Fushun Plant



Suzhou Plant



Foshan Plant

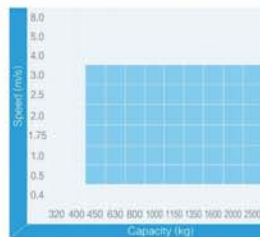


Zhejiang Plant

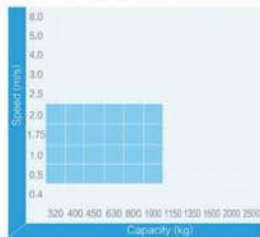
## About us

- Established in 1989, Bluelight is a leading manufacturer of elevator control systems and gearless permanent magnet synchronous machines. It is member of China Elevator Association and an enterprise certified by ISO9001.
- Shenyang BlueLight has also built production base in Foshan and Suzhou area. Foshan factory has floor space of 5,000 m<sup>2</sup> with annual production capacity 20,000 units. Suzhou factory has floor space of 10,000 m<sup>2</sup> with annual production capacity 30,000 units.
- From 1998, Shenyang Bluelight started development of gearless permanent magnet synchronous machines. With a R&D team leading by two doctors experts in motor, Bluelight cooperated constantly with domestic universities, overseas well-known companies for exchange of technology and successfully developed the first gearless permanent magnet synchronous machines in October, 2000. After several technical improvements, Bluelight passed the national EMC testing in July, 2001 and successfully obtained certification. Meanwhile, the machines had been launched into mass production. Shenyang Bluelight has granted several patents of gearless permanent magnet synchronous machines and owned all the knowledge property rights.
- Nowadays, Bluelight gearless machines are widely used in China and some of the products have been sold to Europe, America, Korea, Japan, Taiwan, Middle East, Southeast Asia etc. Relying on the excellent characteristics such as low noise, low vibration, smooth and comfortable running etc., Bluelight gearless machines are being recognized by more and more elevator manufacturers.

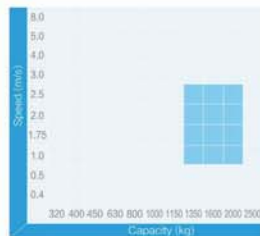
● **WYT-T**  
WYT-T PM TRACTION MACHINE  
----- 01/06



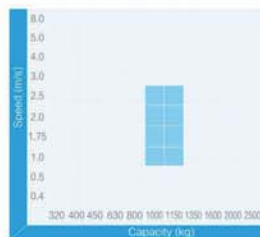
● **WYT-L**  
WYT-L PM TRACTION MACHINE  
----- 07/08



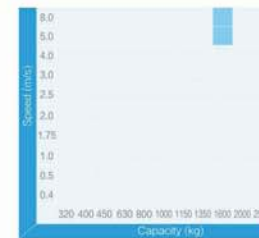
● **WYT-U**  
WYT-U PM TRACTION MACHINE  
----- 09/10



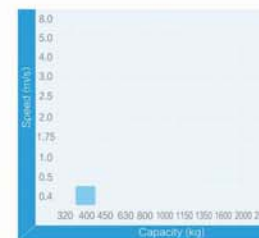
● **WYT-V**  
WYT-V PM TRACTION MACHINE(1:1 ROPING)  
----- 11/12



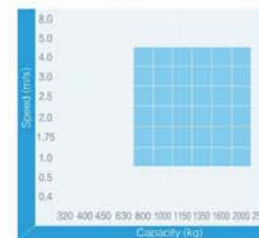
● **WYT-H**  
WYT-H PM TRACTION MACHINE  
----- 13/14



● **WYT-F**  
WYT-F PM TRACTION MACHINE(BELT VILLA)  
----- 15/16



● **WYT-Y**  
WYT-Y PM TRACTION MACHINE  
----- 17/19



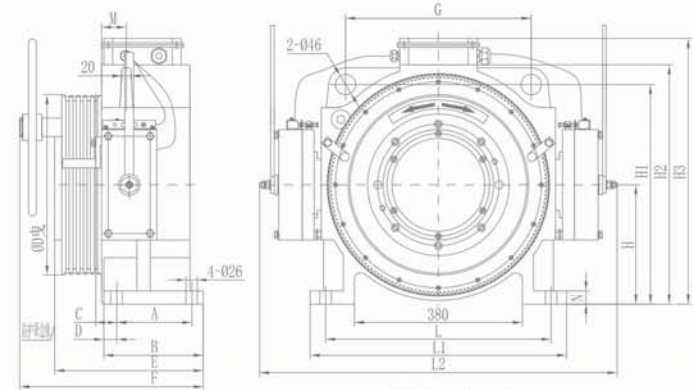
## MACHINE TYPE RECOMMENDATION TABLE



# WYT-T

## PM Traction Machine

WYT-T series outer rotor PMS machine is BlueLight's most popular product. After 10 years of continuous improvement, this series product has high quality standard, with superior performance, and can cover wide range of elevator application. It is your first choice for high performance elevator.



Outline drawing

### ( Parameter of Traction Machine )

- ( Voltage ) : AC380V
- ( Roping ) : 2: 1
- ( Wrap ) : ( Single )
- ( Capacity ) : 450kg ~ 2500kg
- ( Speed ) : 0.5m/s ~ 3.0m/s
- ( Protection Grade ) : IP41
- ( Ins. Class ) : F
- ( Traction machine pole ) : 30
- ( Stars per hour ) : 240
- ( Rating ) : S5~40%

### ( Features )

- Optimized mechanical structure design, high shaft load, high operating safety factor;
- High efficiency, high torque density design and optimized pole slot coordination;
- Machine run smoothly, with low noise & small vibration;
- This series covers wide range of elevator speed & capacity.
- Use block type armless brake, it has fast response time & high reliability.

### ( Parameter of Brake )

( Model ) : BLB

( Ins.Class ) : F

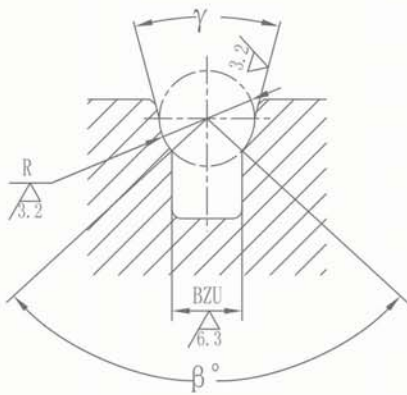
( Voltage ) : DC110V

( Current ) :

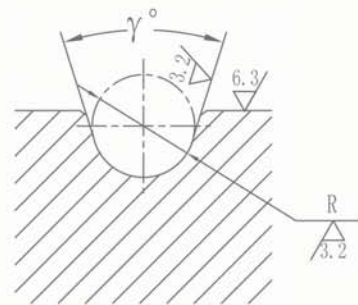
Series	Model	Speed(m/s)	Capacity code	Current
WYT-T		0.5~2.0	A, B, AL, AS, BS, CS, DS(450kg ~ 1000kg) C, D, E, BL, CL, DL ( 630kg ~ 1150kg)	1.1A
		0.5~3.0	C, D, E, CL, DL, EL(800kg ~ 1150kg)	1.3A
	0.5~2.0	C, D, E, F ( 1275kg ~ 2000kg)	1.6A	
	0.5~3.0	CL, DL, EL ( 1275kg ~ 1600kg)		
	0.5~2.0	G ( 2500kg)		
			0.5~3.0	FL ( 2000kg)



## THE PARAMETER LIST OF GROOVE



( Single groove )



( Double groove )

( Groove )	R	β	γ	BZU
( Single groove )	Φ 6	90°	35°	4.24
	Φ 8	90°	35°	5.66
	Φ 10	97°	25°	7.49
	Φ 12	95°	35°	8.85
( Double groove )	Φ 10		35°	
	Φ 12		35°	
	Φ 16		35°	

## COMPANY QUALIFICATION

1. Type-examination Certificate of Special Equipment
2. Patent certificate
3. National high-tech enterprise
4. China Invention Exhibition

5. ISO9001
6. KTL Issue KC Certification
7. TUV Issue CE Certification



1



2



3



4



5



6



7